

מפרט טכני

**SWS**



**METALPRESS**

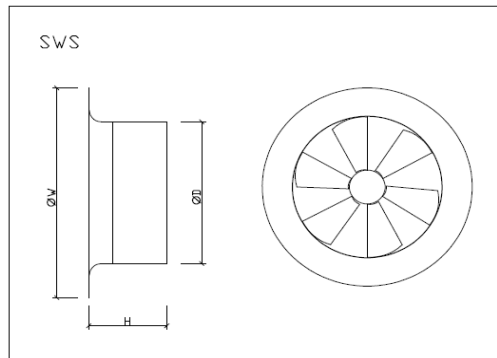
MAKE THE DIFFERENCE



מפזר Swirl עגול דקורטיבי עשוי מאלומיניום מותאם לתקרות נמוכות, 2.7 מטר עד 4 מטר. זריקת אוויר אופקית / אנכית, להבים כפולים המאפשרים ויסות.

### טבלת נתונים

דגם	$\varnothing D$	$\varnothing H$	$\varnothing W$
250	130	370	
315	155	485	
400	165	565	
500	165	665	



DIA	M <sup>3</sup> /h	72	108	144	180	216	288	360	432	540	648	792	936	1080	1220	1370	1515	1654	1886	
SWS 160	LpA	21	26	32	39	44														
	ΔPst	9	20	36	56	81														
	Δptot	10	22	38	60	86														
	Ld	1.8	2.2	2.6	3	3.4														
	Lmin	-	-	-	-	-														
	L0.2	2	2.3	3	3.8	4.4														
SWS 200	LpA		22	24	27	31	38	45												
	ΔPst		7	13	20	29	52	81												
	Δptot		8	14	22	31	56	87												
	Ld		1.8	2.2	2.4	2.8	3.4	4												
	Lmin		-	-	-	-	-	-												
	L0.2		2	2.3	2.8	3.4	4.8	6												
SWS 250	LpA					23	28	33	38	45										
	ΔPst					10	18	29	41	65										
	Δptot					11	20	31	45	70										
	Ld					2.2	2.8	3.2	3.4	4.2										
	Lmin					-	-	-	-	-										
	L0.2					2.4	3.4	4.6	5.8	7.4										
SWS 315	LpA							21	25	31	36	42	48							
	ΔPst							12	18	28	40	59	83							
	Δptot							13	19	30	43	64	90							
	Ld							2.4	2.6	3	3.4	4	4.4							
	Lmin							-	-	-	-	1	1							
	L0.2							3.4	4	4.6	5.6	6.8	8							
SWS 400	LpA											19	25	28	30	34	40			
	ΔPst											26	34	41	44	48	52			
	Δptot											20	33	39	47	51	58			
	Ld											2.3	2.9	3.2	3.7	4.1	4.4			
	Lmin											-	1.2	1.3	1.8	2.4	2.9			
	L0.2											3.2	3.6	4.2	4.8	5.5	6.8			
SWS 500	LpA														21	25	32	35	42	48
	ΔPst														26	35	40	45	48	52
	Δptot														24	34	39	46	47	50
	Ld														2.4	3	3.2	3.6	4	4.3
	Lmin														-	-	1.2	1.8	2	2.5
	L0.2														3.2	3.8	4.4	4.5	5.8	6.5

LpA values presented with room attenuation 4 dB (red)

- sab): LpA - 4dB.

**Pa** Supply air cooling capacity, W  
**LpA** A-weighted sound pressure level, reduced by total

**ΔPst** Static pressure drop, Pa

**Δptot** Total pressure drop, Pa  
**Ld** Distance from the supply unit, at which air jet detaches from ceiling, m  
**Lmin** Minimum distance between central lines of two supply units, m (V3=0.25m/s at 1.8m heighty)  
**L0.2** Isothermal throw length, m when residual velocity of supplu air jet 0.2 m/s  
Room temperature (Tr) = 24 C°  
Room temperature (Ta) = 14 C°  
Room height = 2.8 m